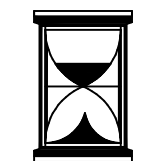


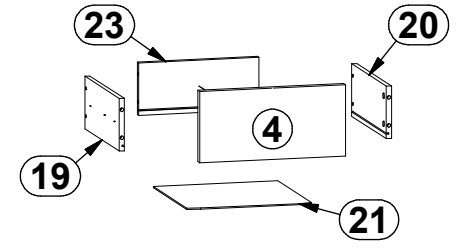
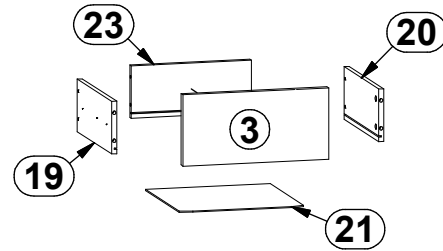
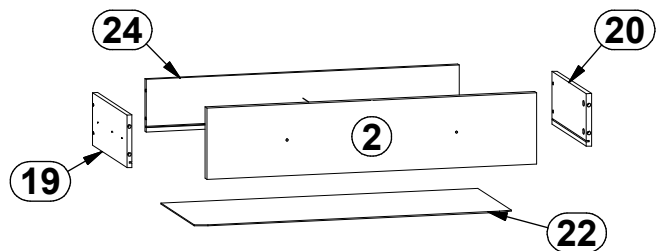
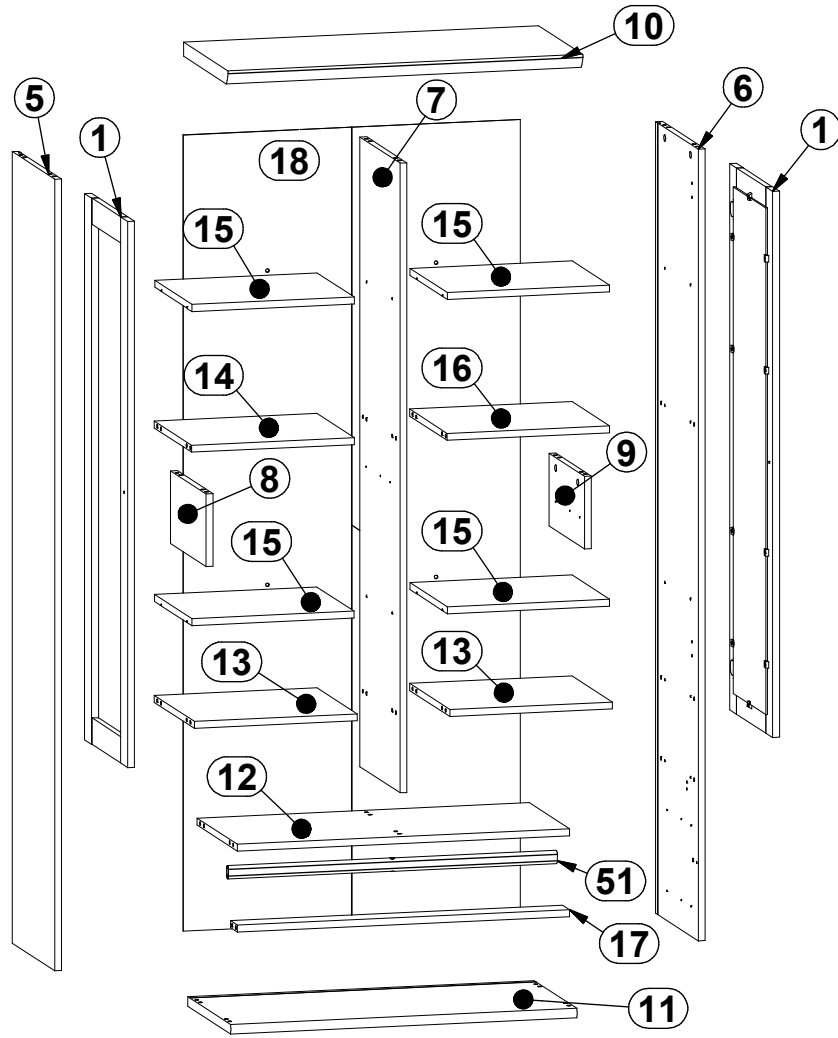
A	B	C (mm)		D
1	S248-0001	1248	60	3/3
2	S248-0003	768	163	1/3
3	S248-0004	163	340	2/3
4	S248-0005	163	340	2/3
5	S248-1001	1809	370	2/3
6	S248-1002	1809	370	2/3
7	S248-1003	1439	350	2/3
8	S248-1004	166	309	2/3
9	S248-1005	166	309	2/3
10	S248-2001	827	388	1/3
11	S248-2002	807	375	1/3
12	S248-3001	774	350	2/3
13	S248-3003	379	350	1/3
14	S248-3004	379	325	1/3
15	S248-3005	378	325	1/3
16	S248-3006	379	325	1/3
17	S248-4001	774	60	1/3
18	S248-9301	1819	785	2/3
19	WSK3-503	300	120	2/3
20	WSK3-504	300	120	2/3
21	WSP-9087	290	298	1/3
22	WSP-9088	739	298	1/3
23	WTR-5023	280	120	1/3
24	WTR-5024	729	120	1/3
51	wp-766	766	30	1/3

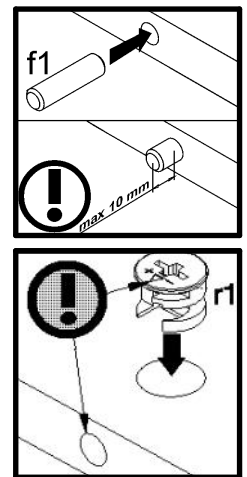
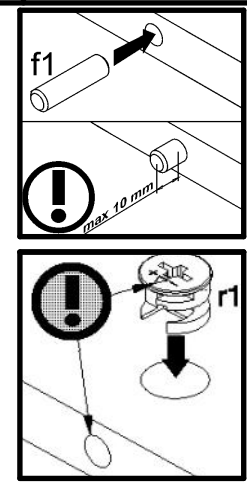
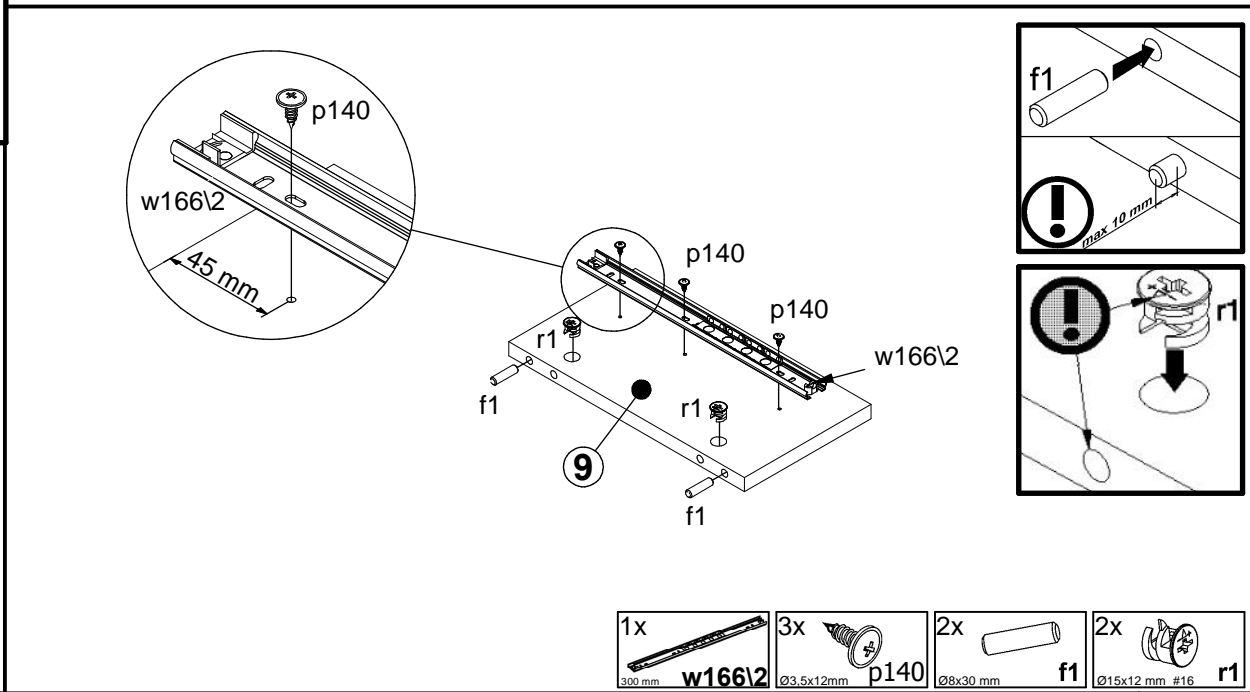
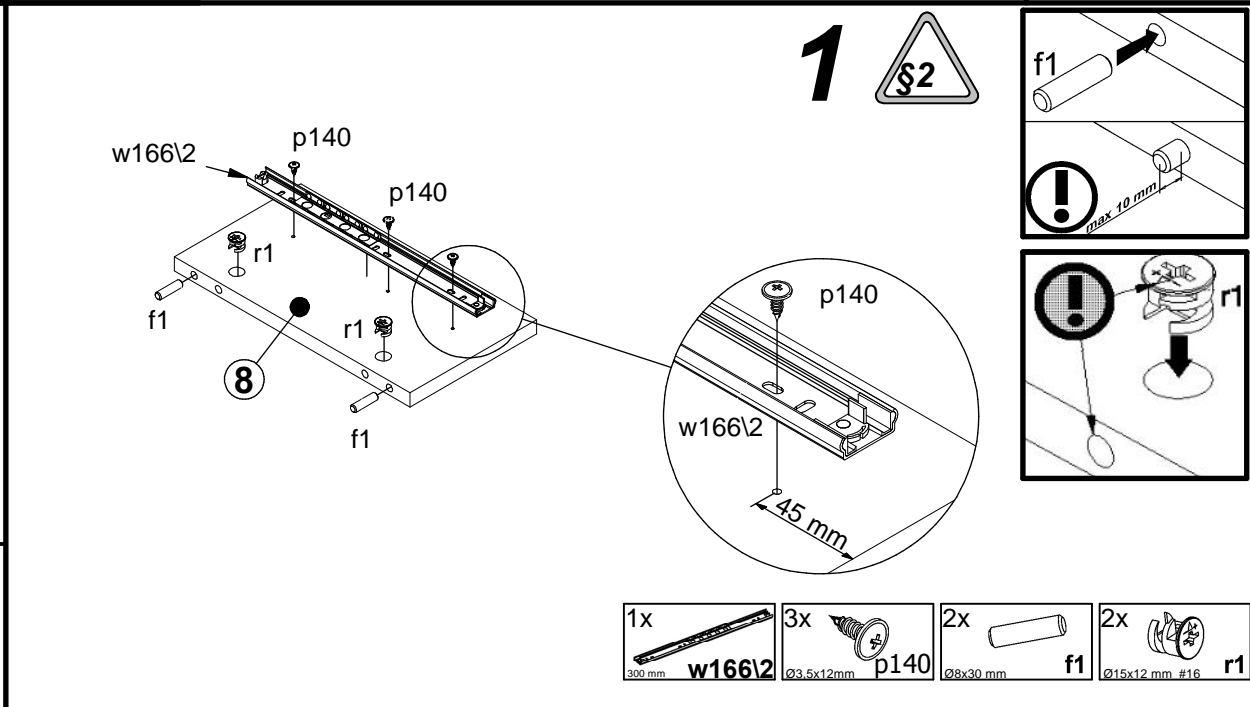
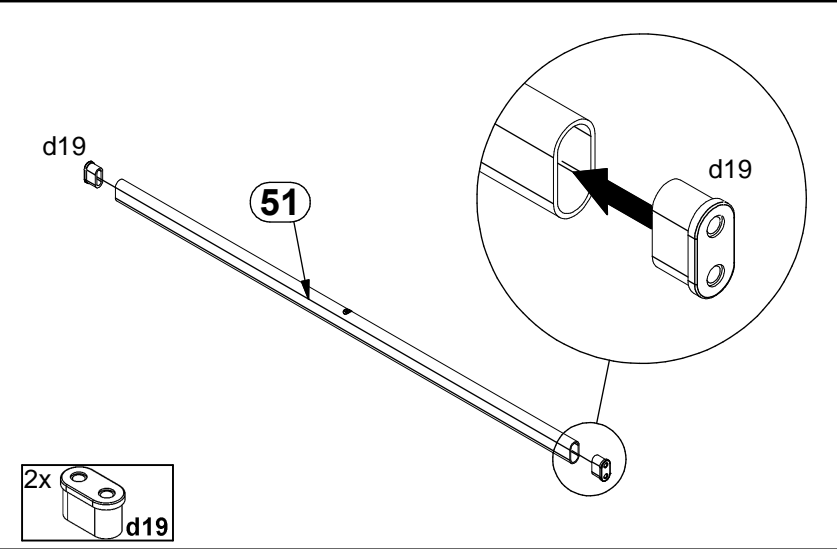
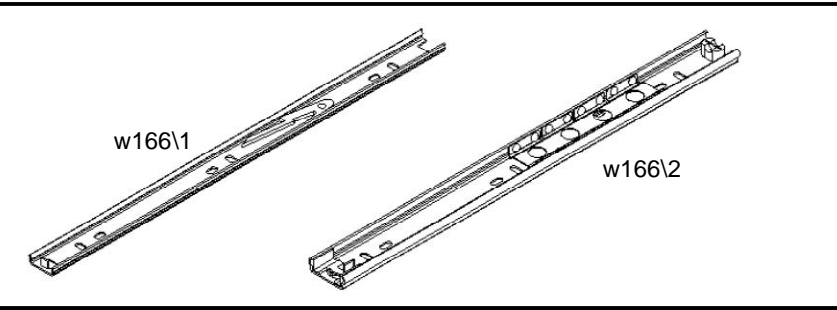
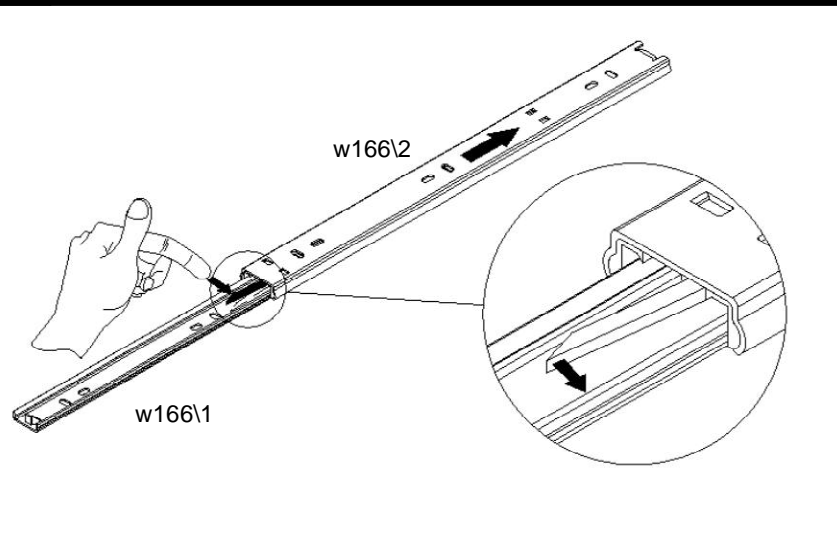


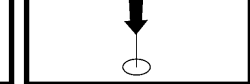
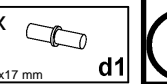
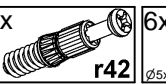
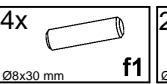
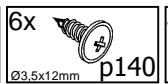
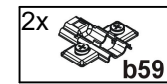
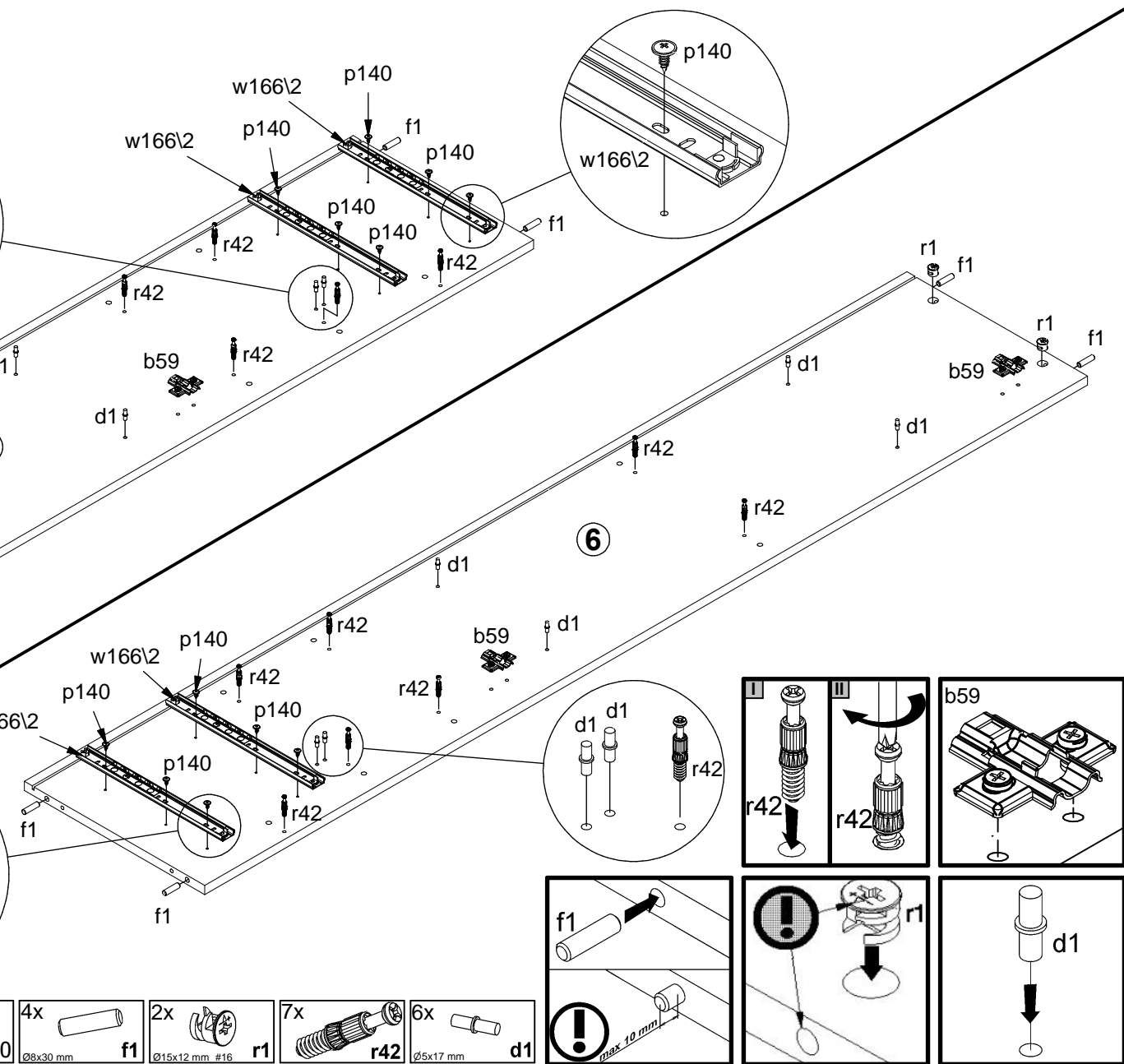
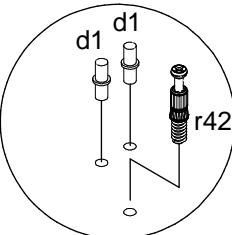
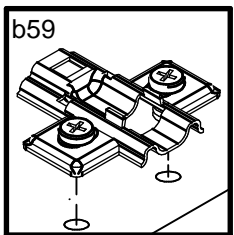
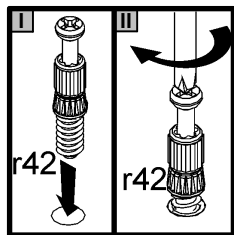
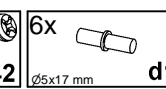
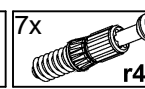
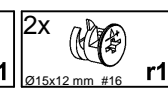
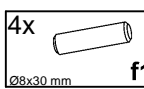
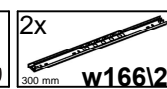
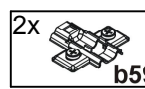
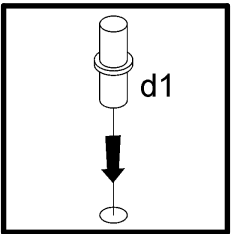
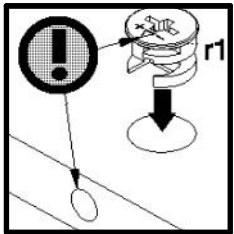
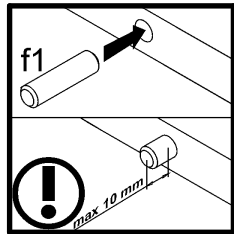
90min

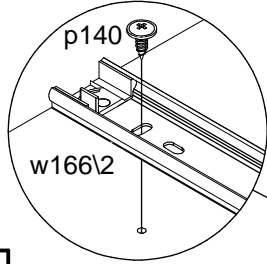
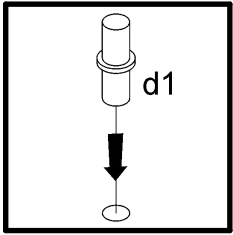
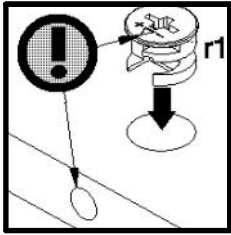
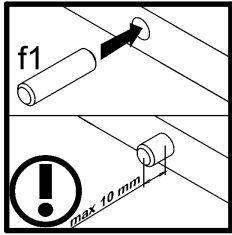


4x a101	4x b59	2x c445	2x c446	2x c447	20x d1	2x d19	6x e1	30x f1	4x f6	16x f25	6x j30	4x k27
20x l1	20x l2	4x o75\1	1x o80\3	1x o80\4	4x p25	8x p51	48x p140	32x r1	4x r10	16x r15	40x r42	6x s2
2x s60	2x t18	8x w166\1	8x w166\2	1x z1				1x f35	1x n14\2	1x p17	2x p38	

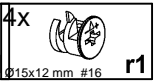
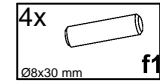
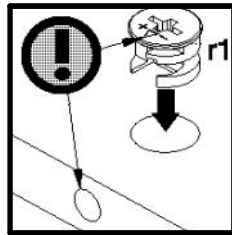
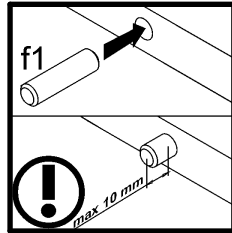
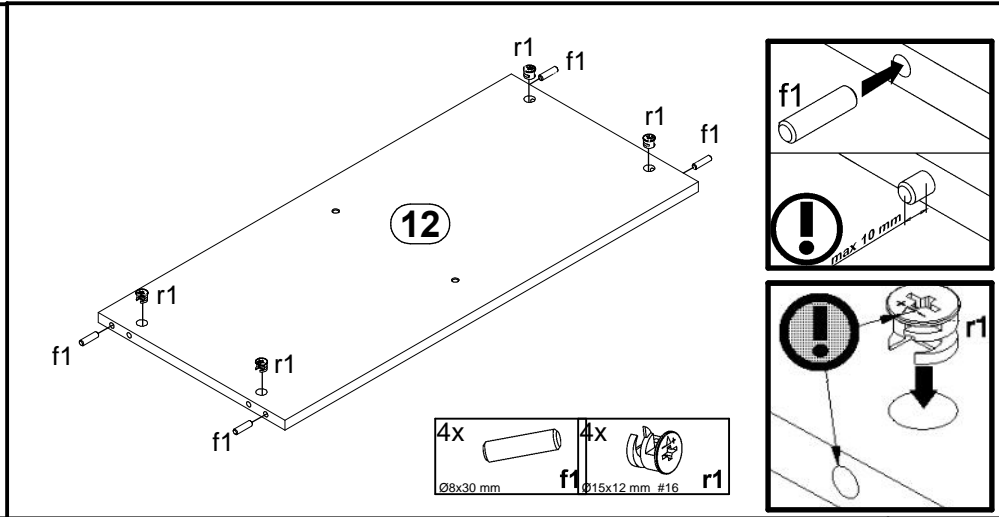
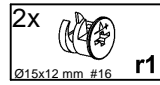
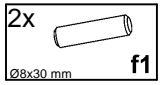
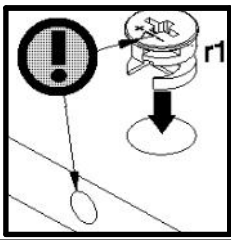
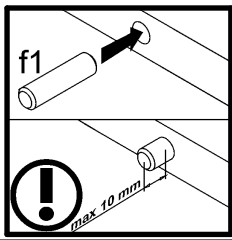
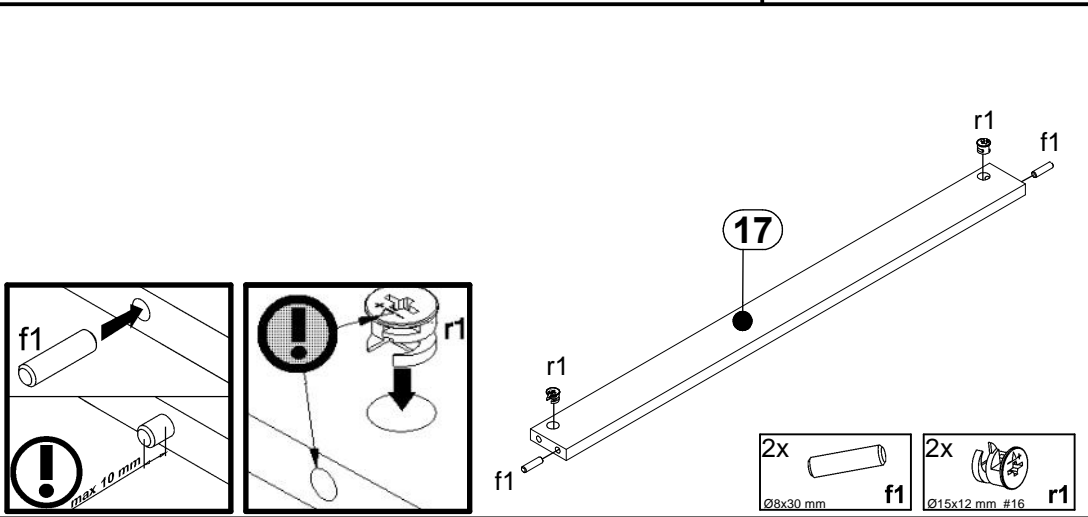
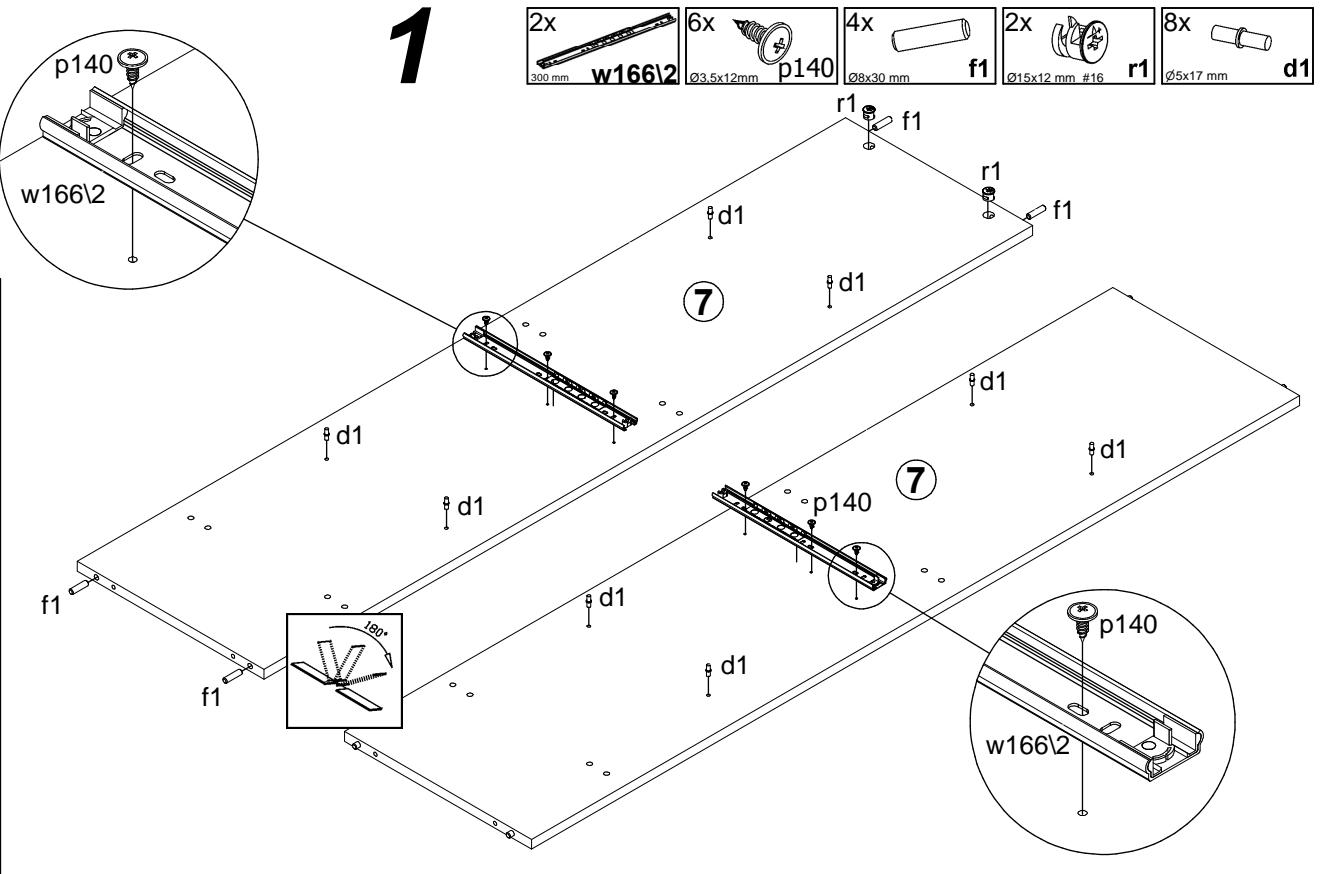
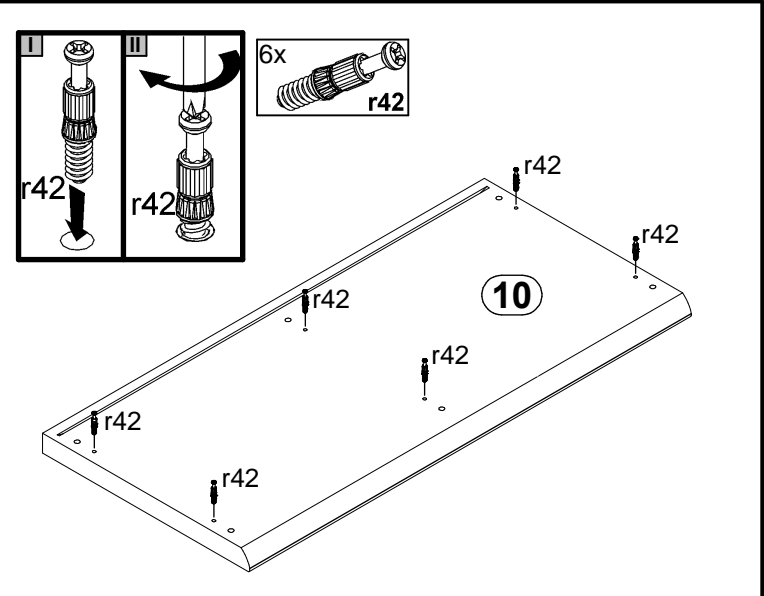
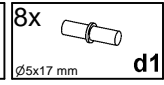
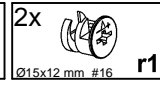
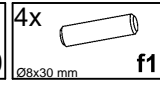
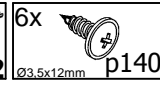
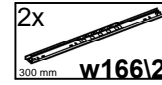






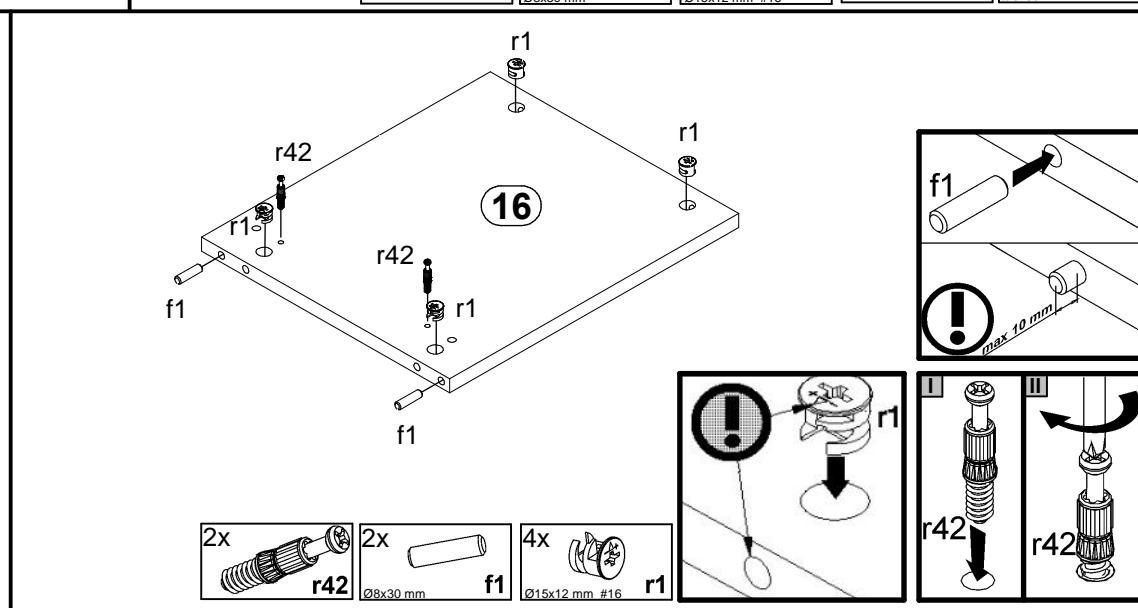
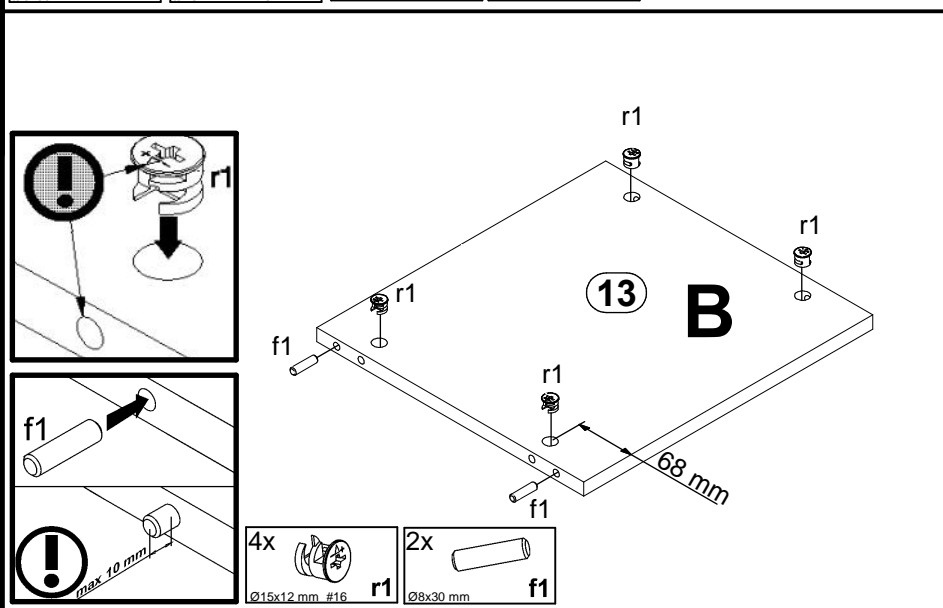
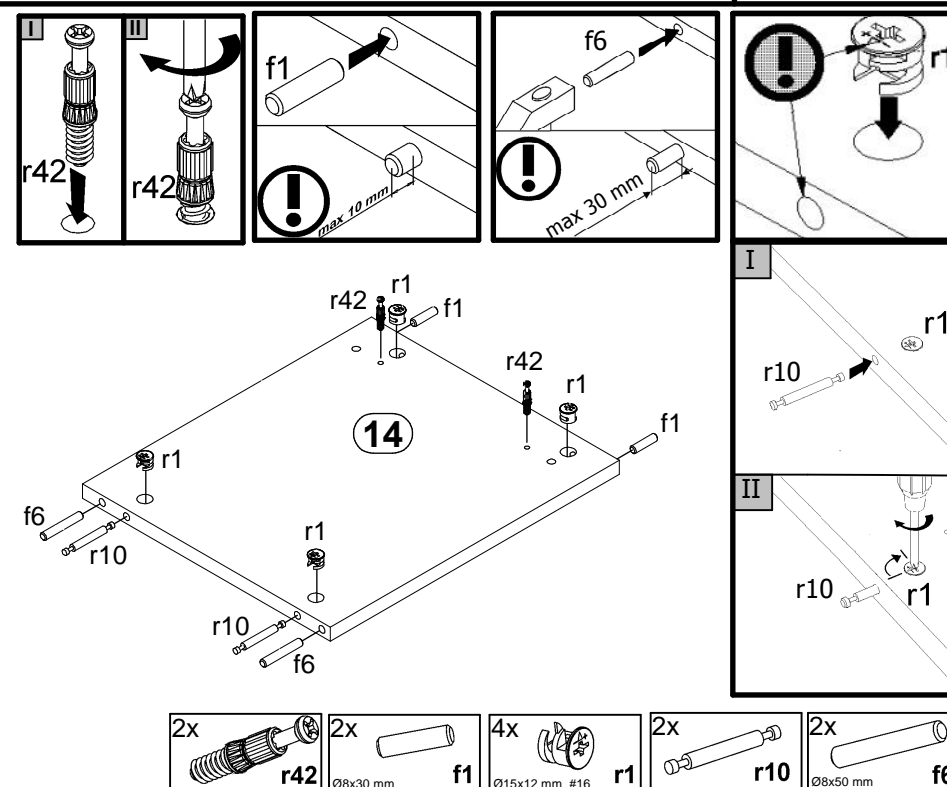
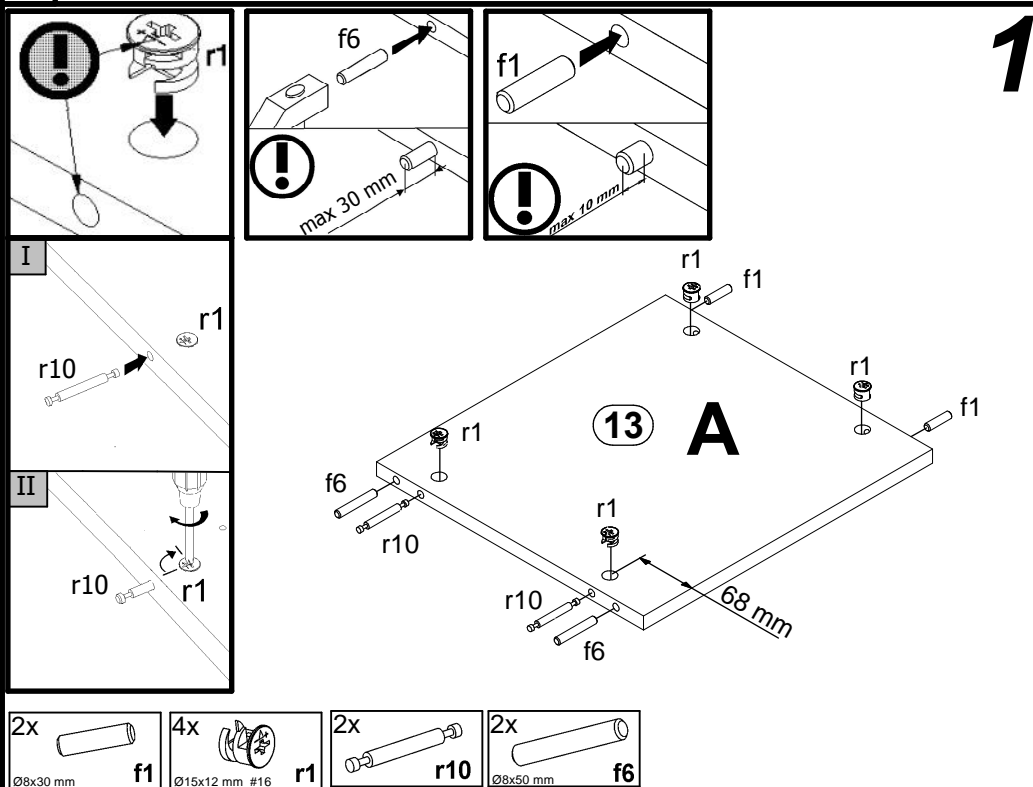


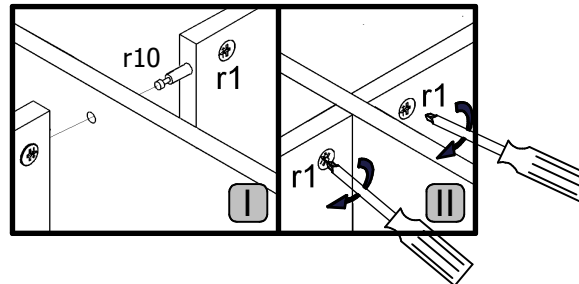
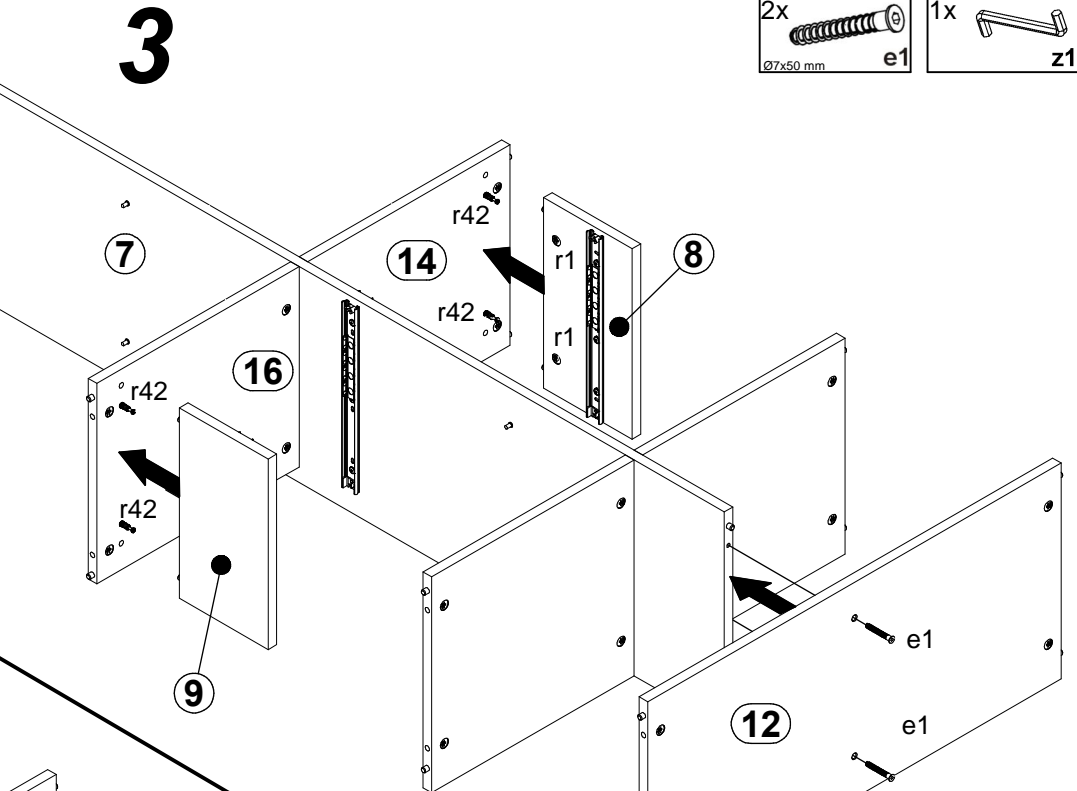
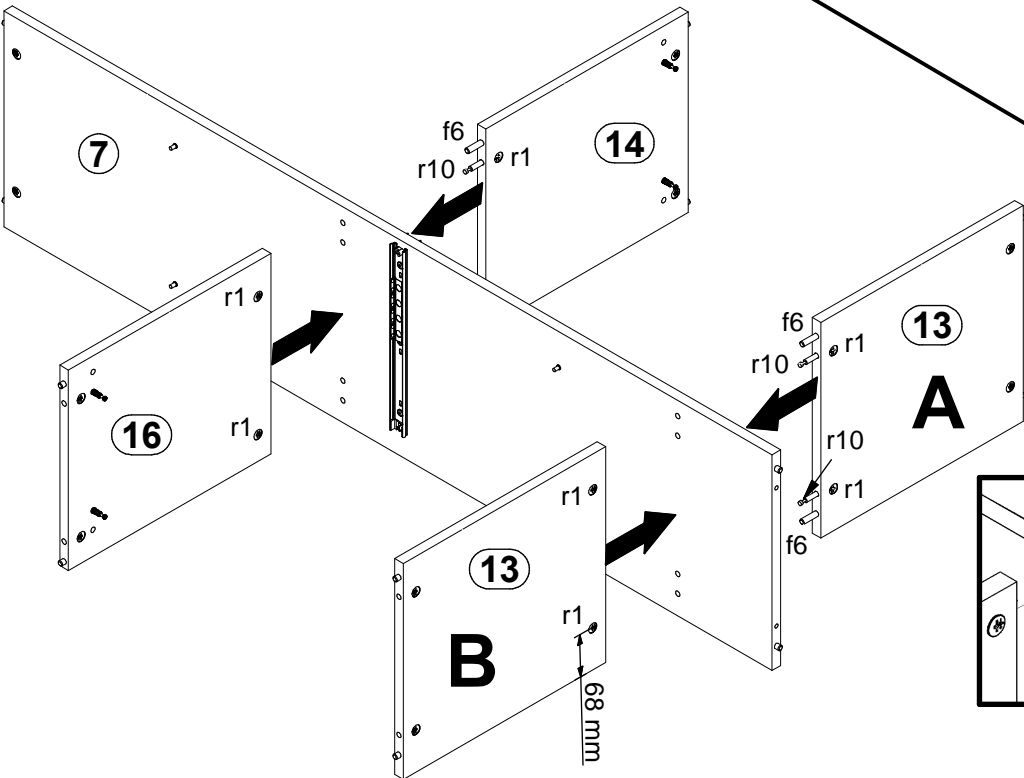
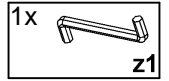
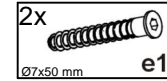
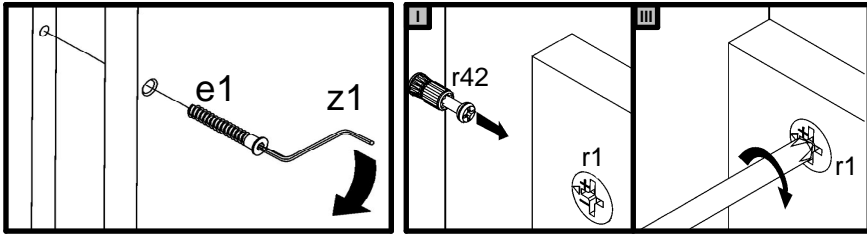
1

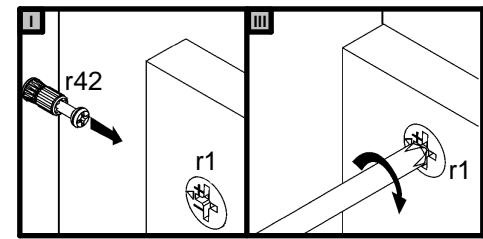


A**S248-REG2W4S/19/8****10D0--01**

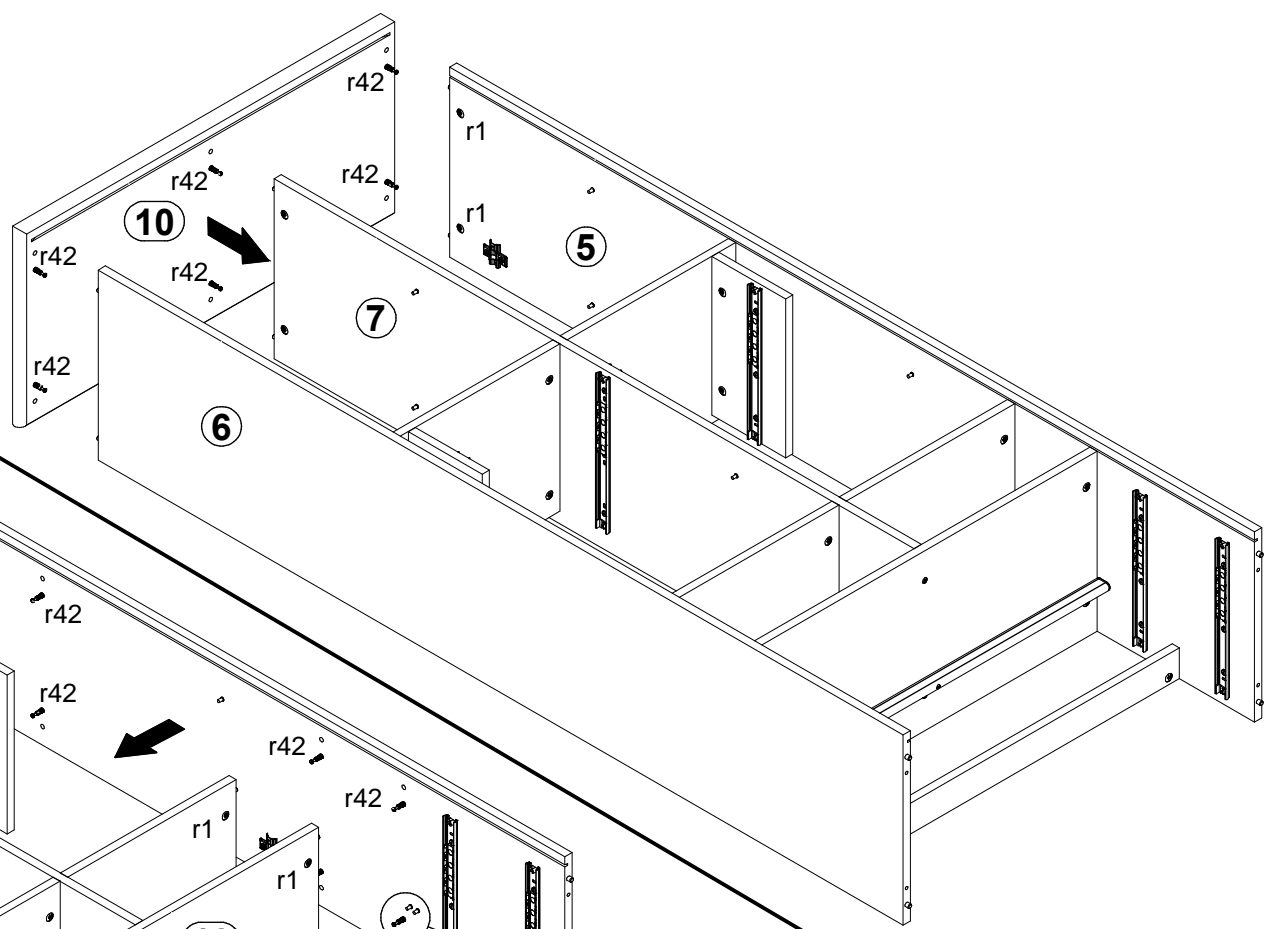
7 / 16



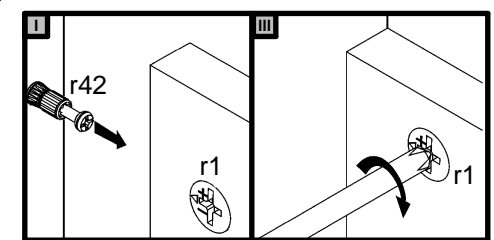
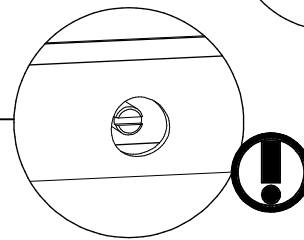
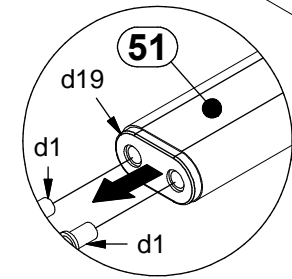
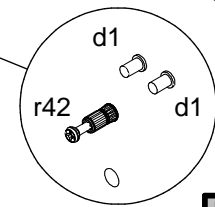
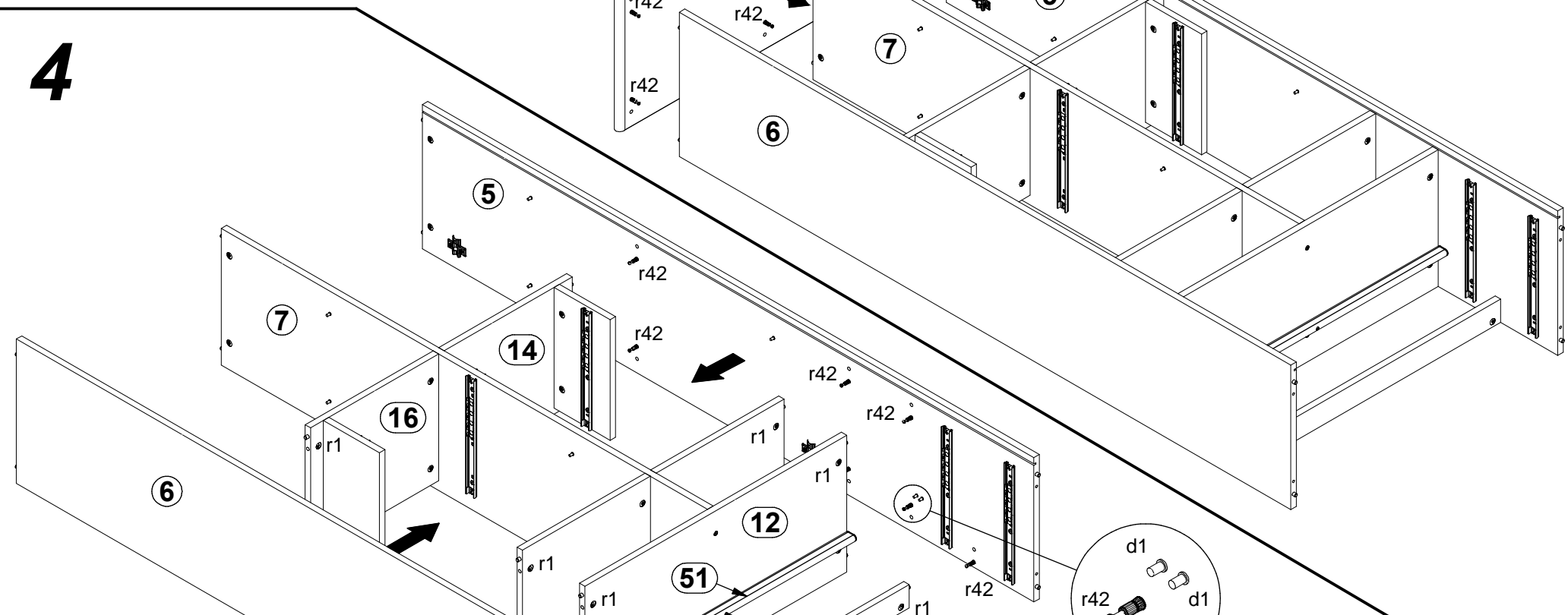


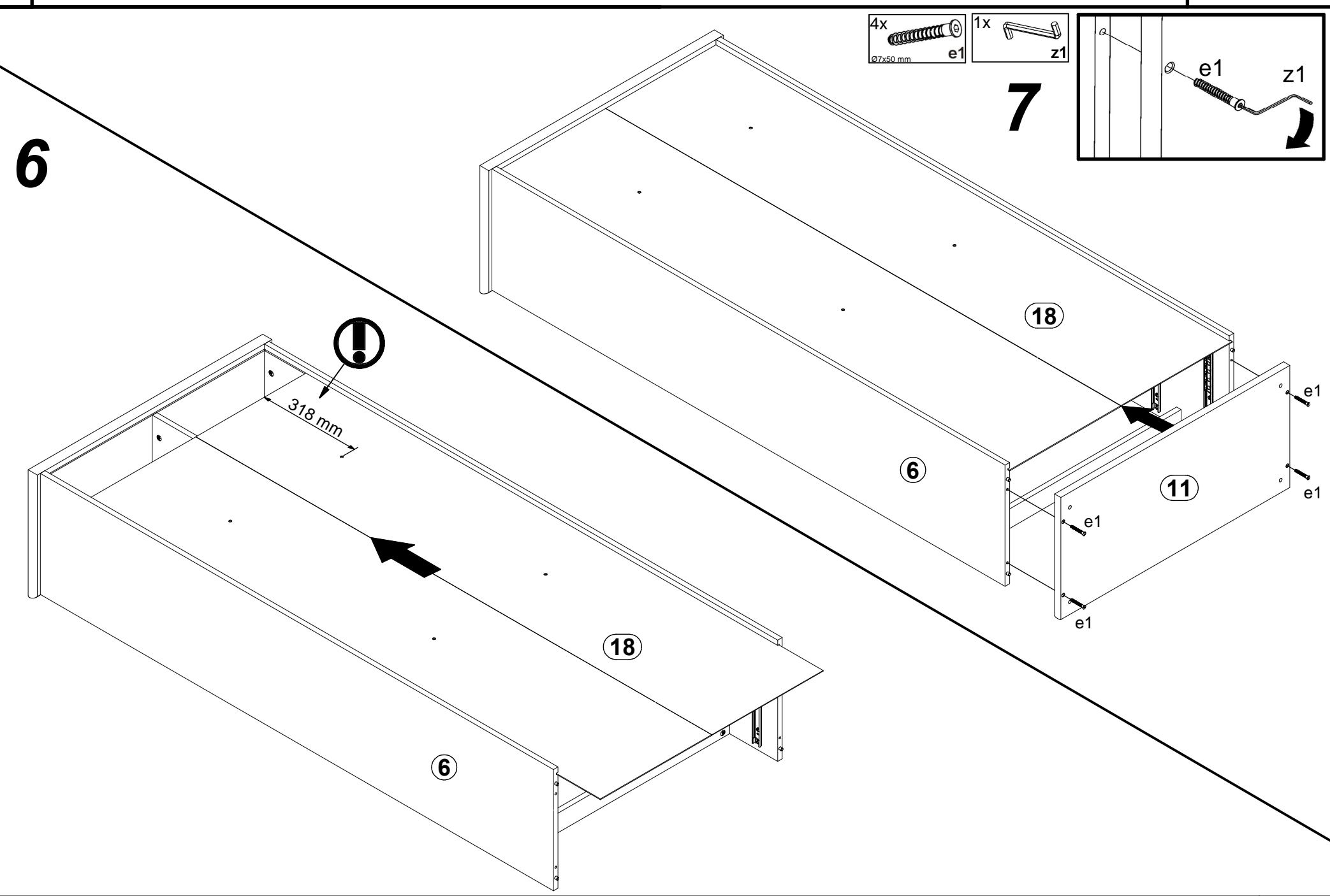


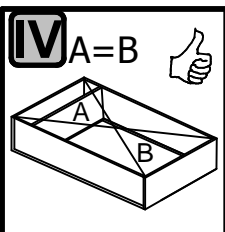
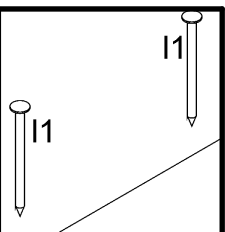
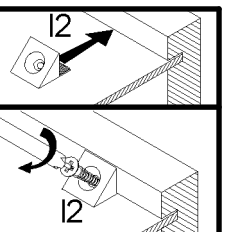
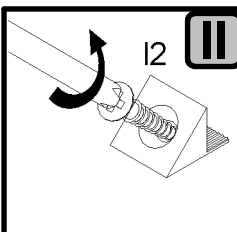
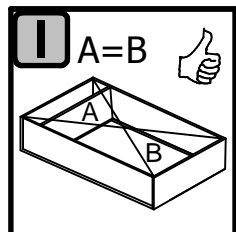
5



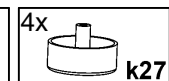
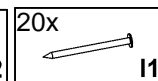
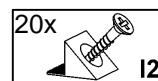
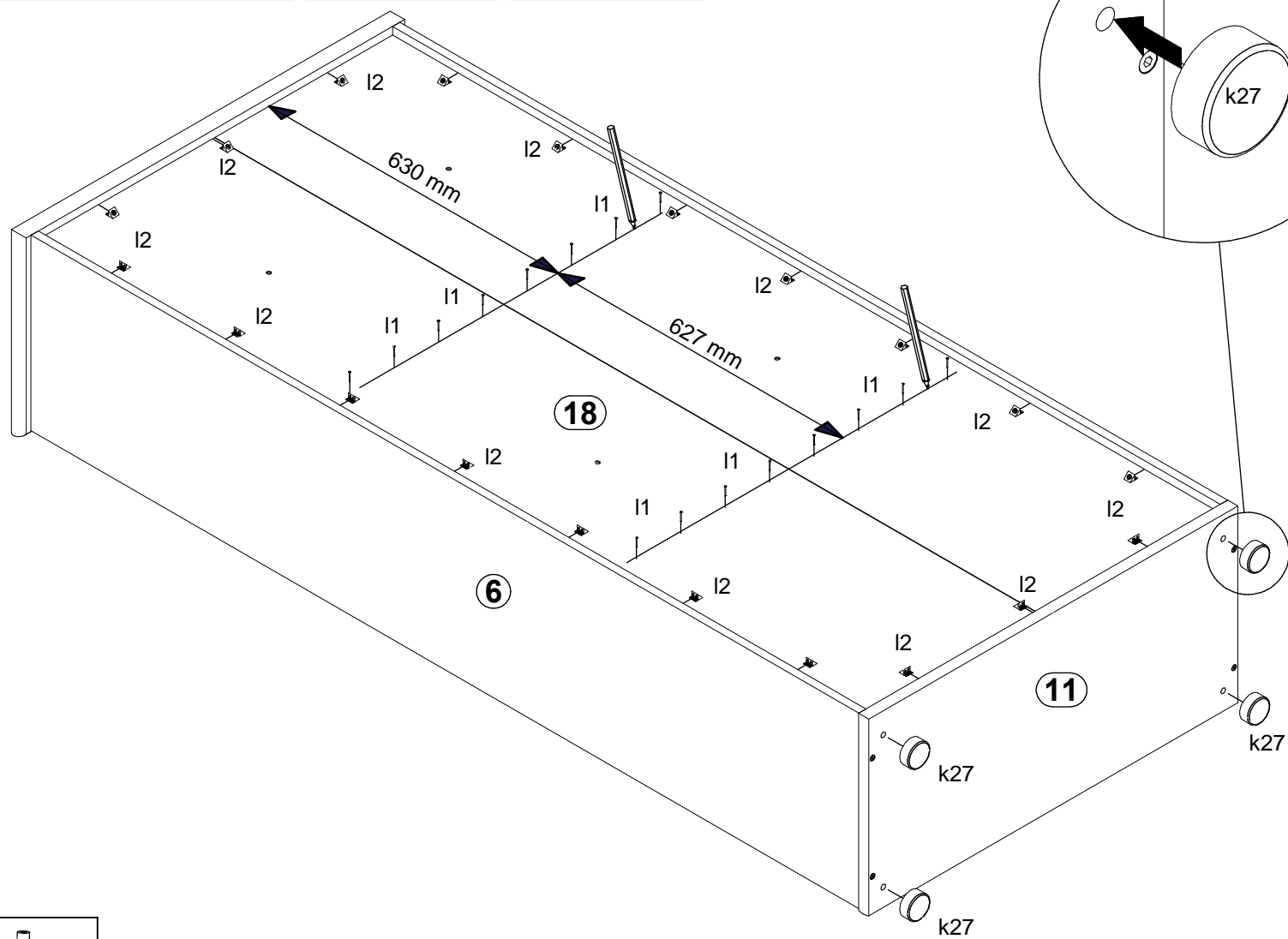
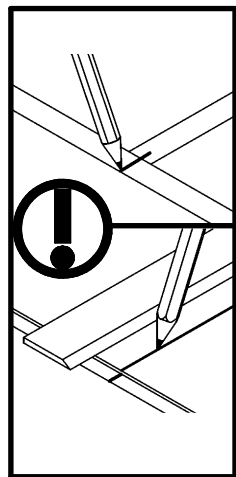
4



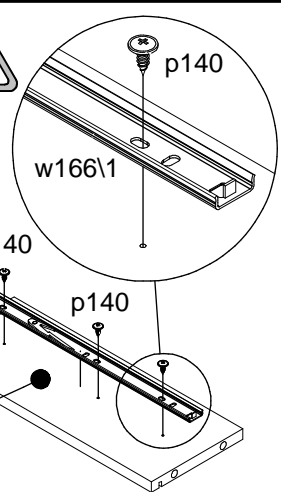




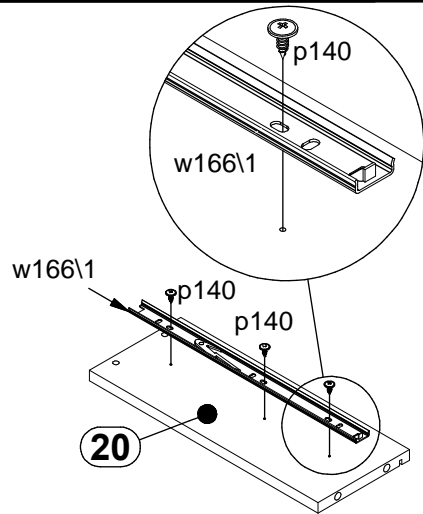
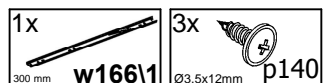
8



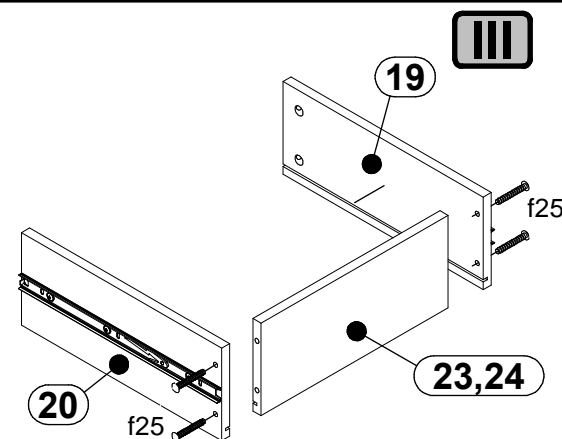
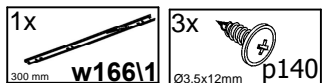
9



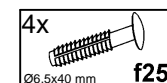
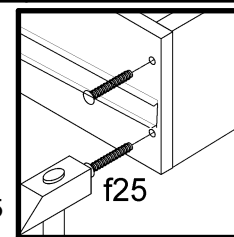
I



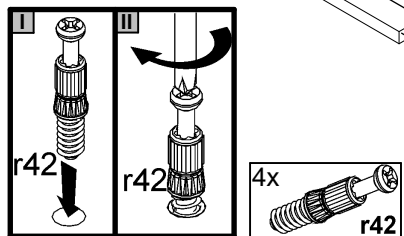
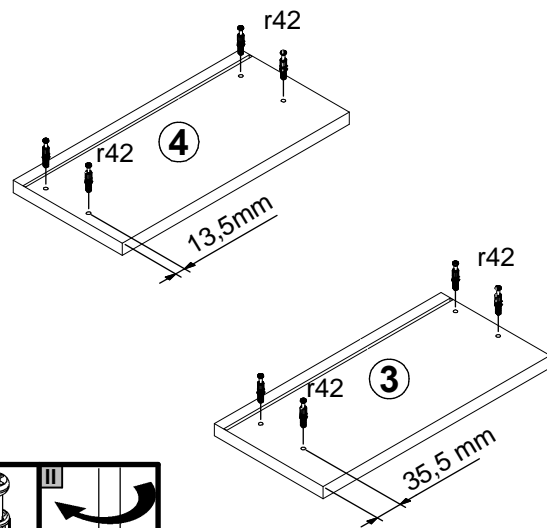
II



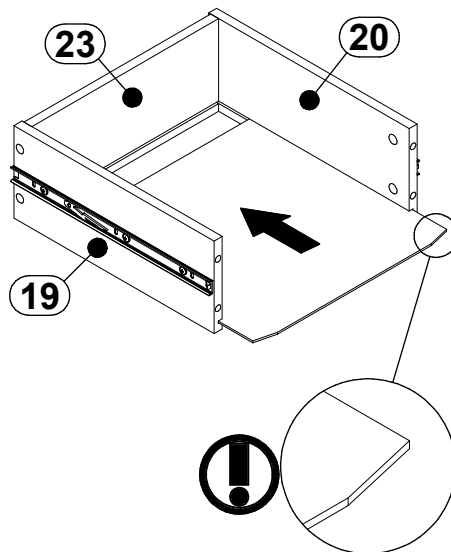
III



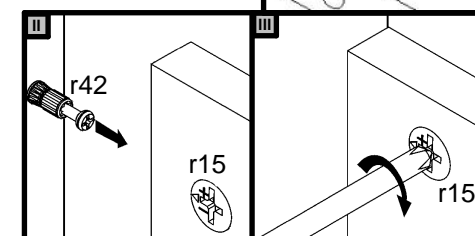
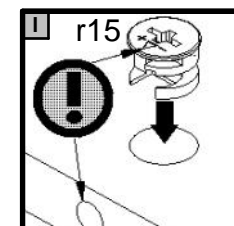
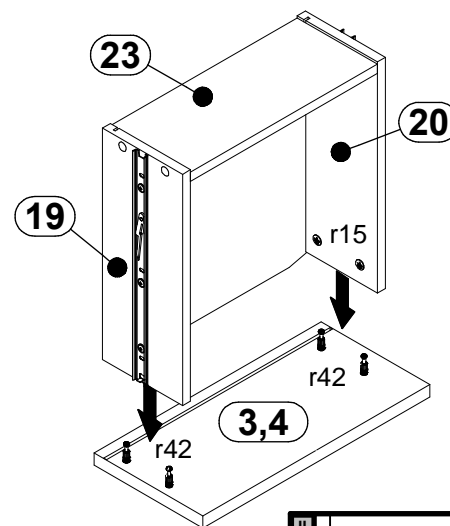
IV

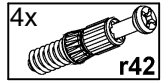
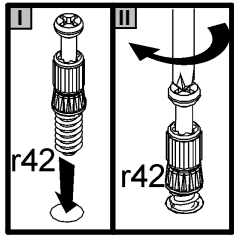


V

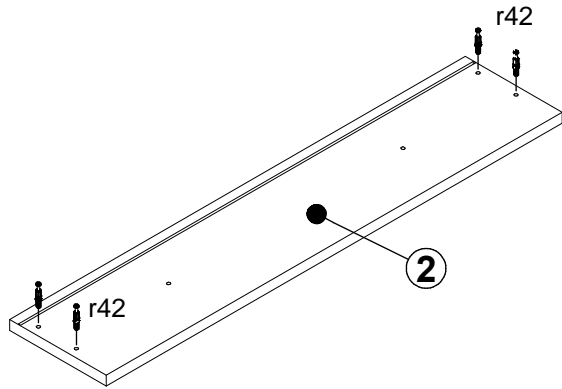


VI



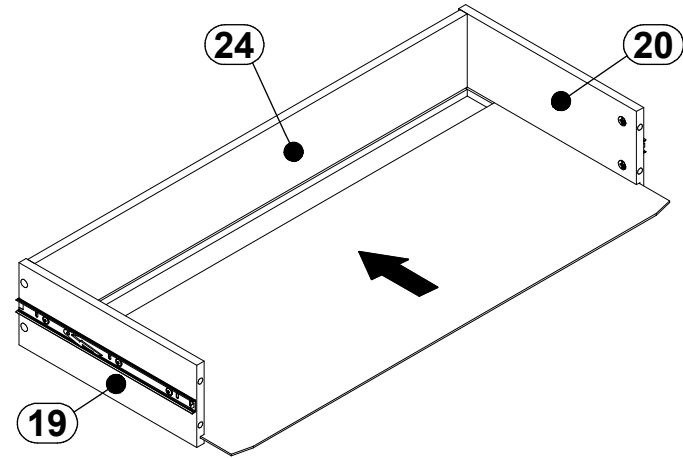


IV

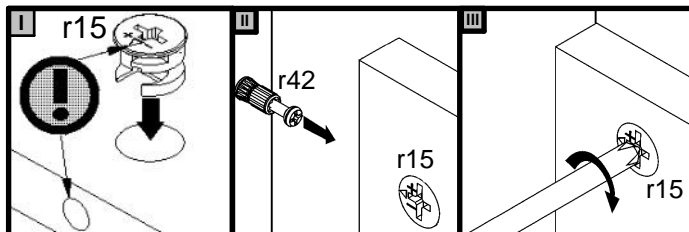
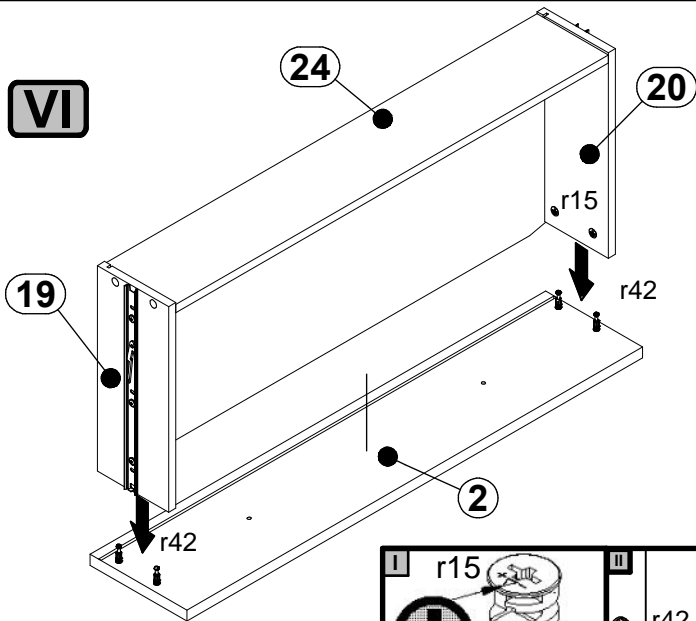


9

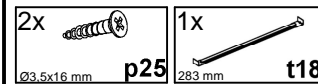
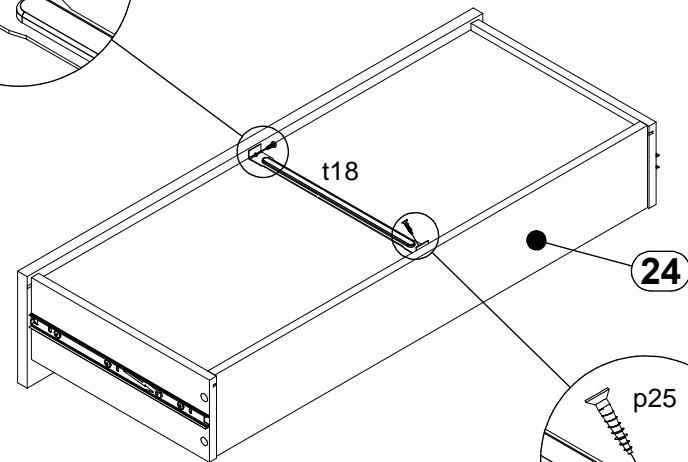
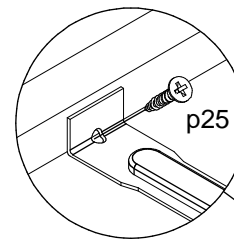
V



VI

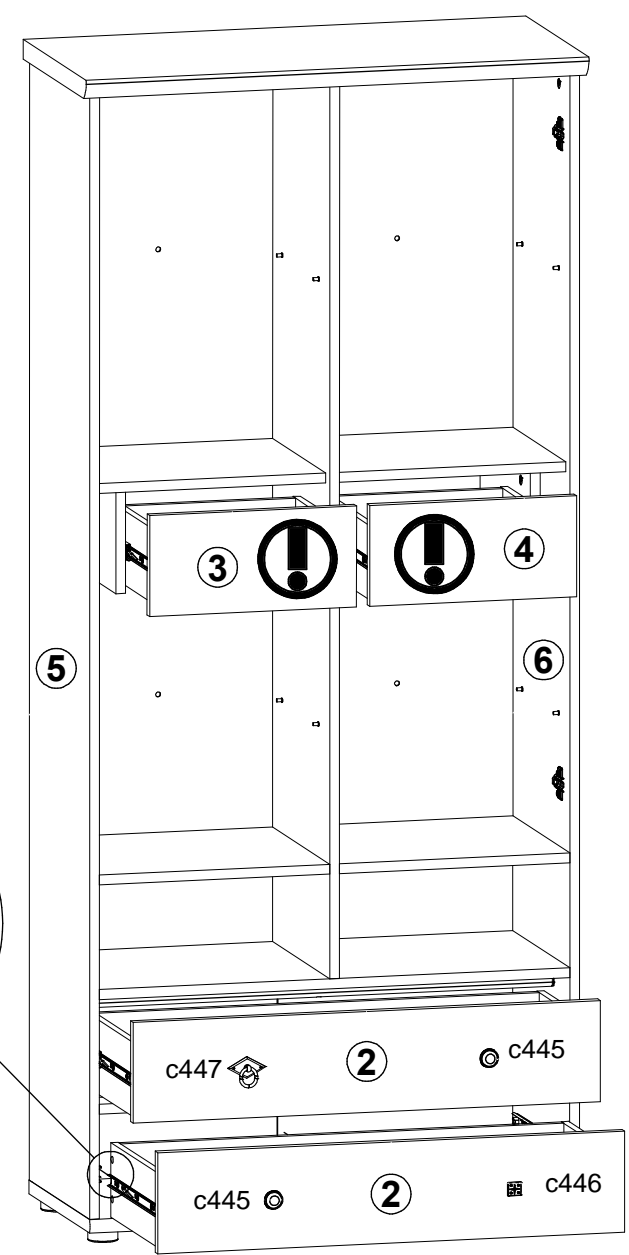
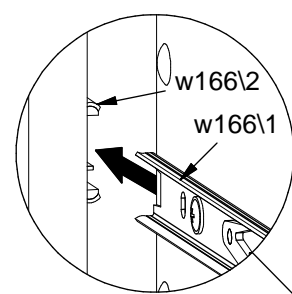
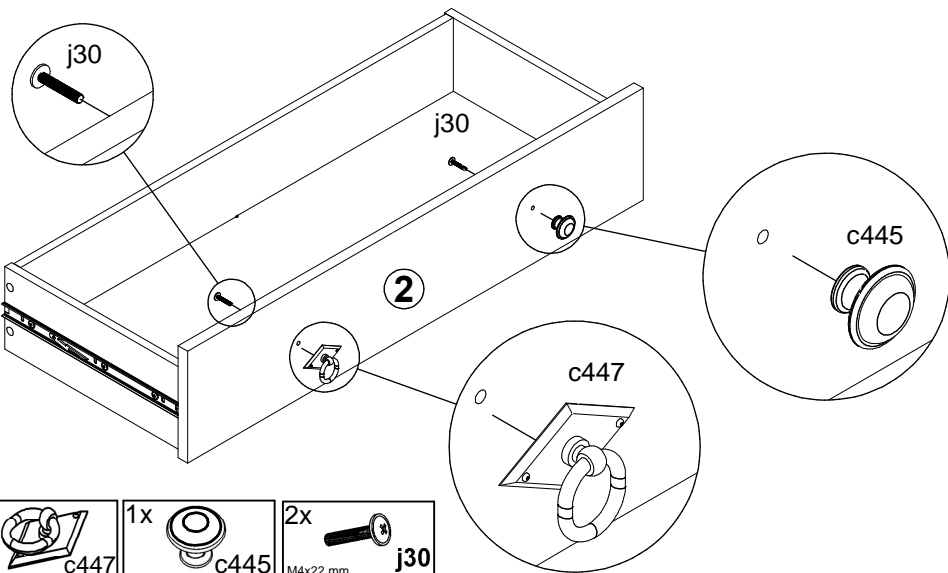
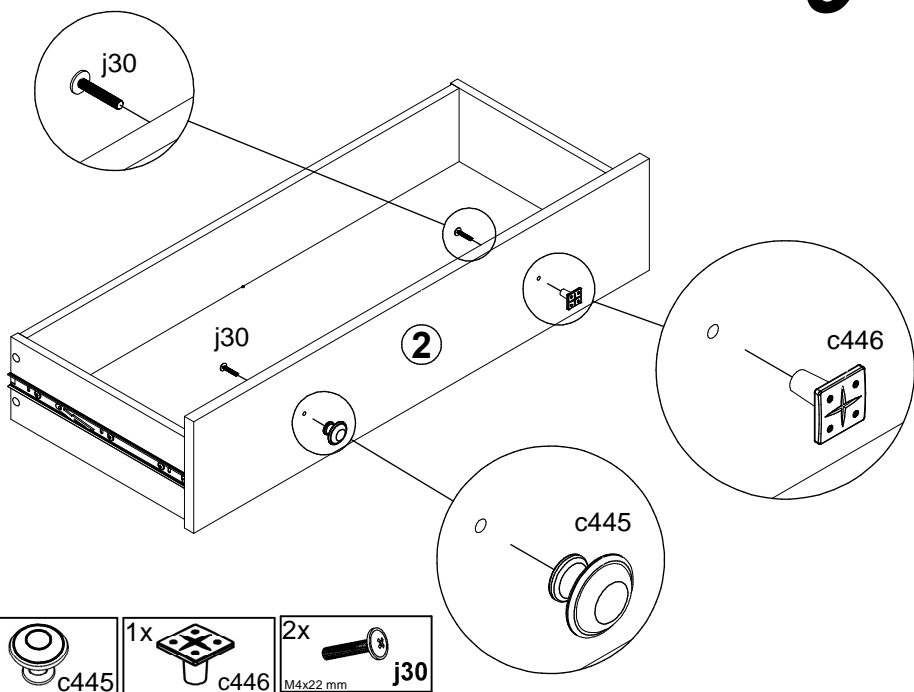


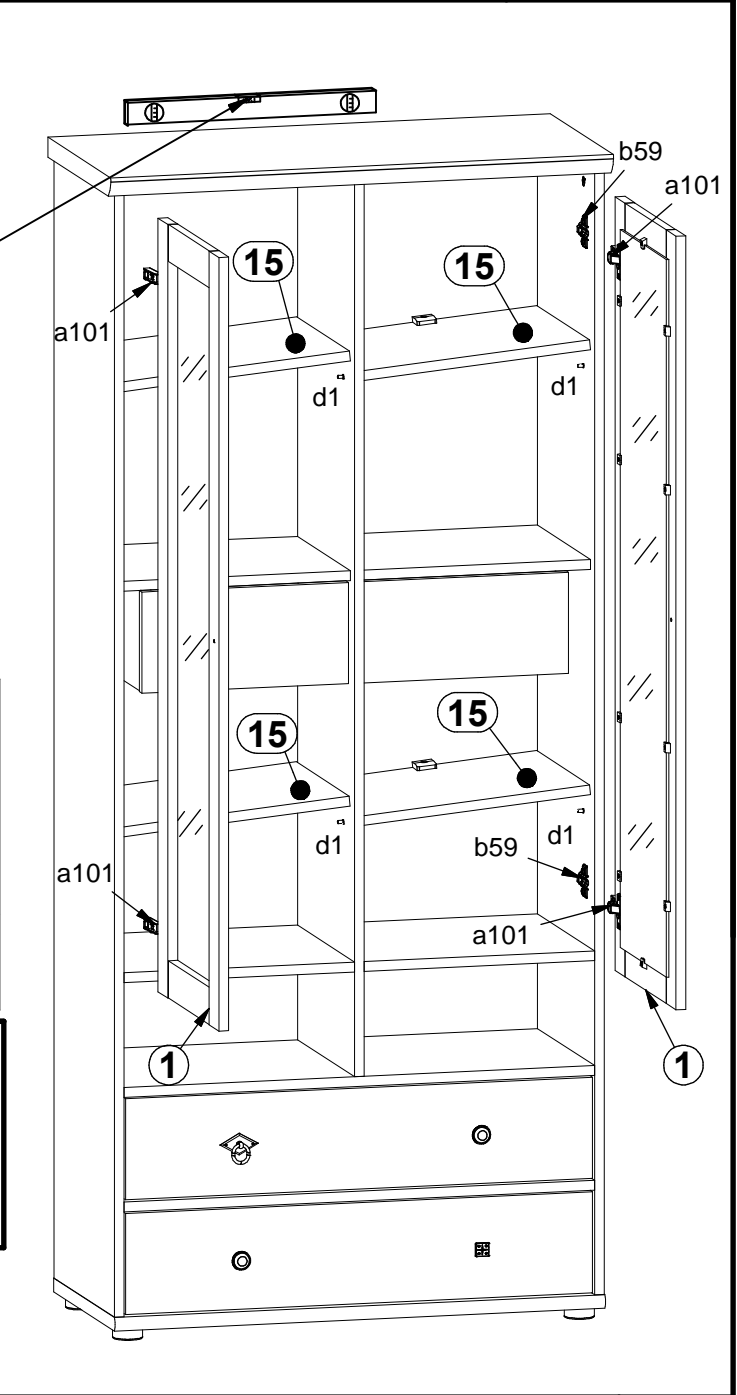
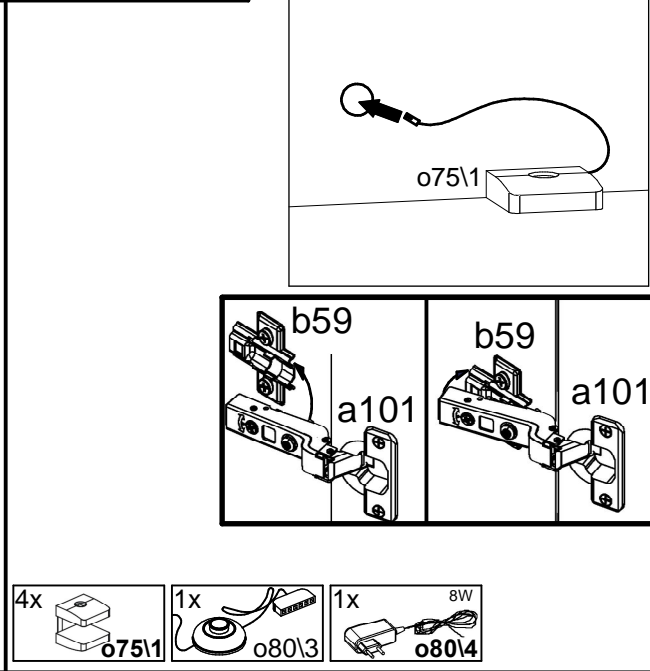
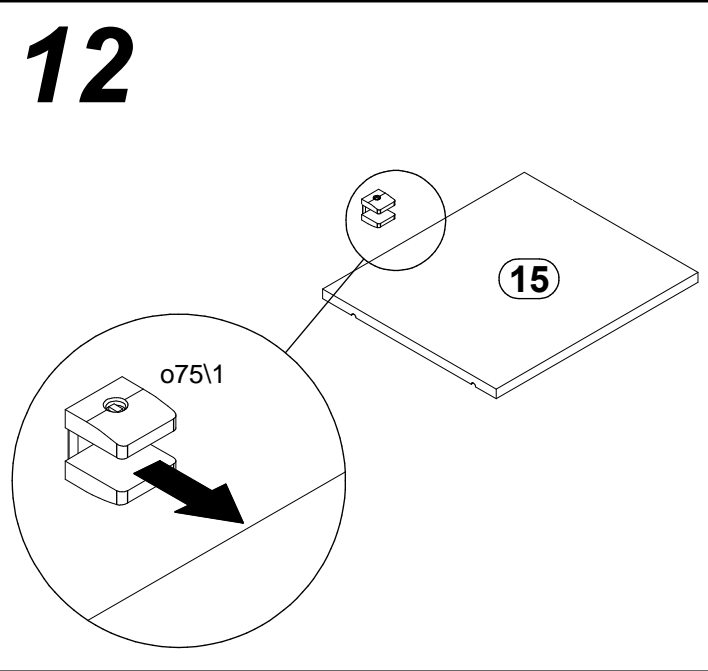
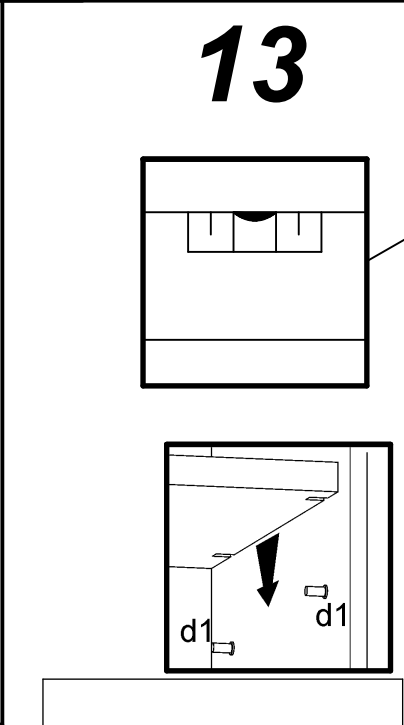
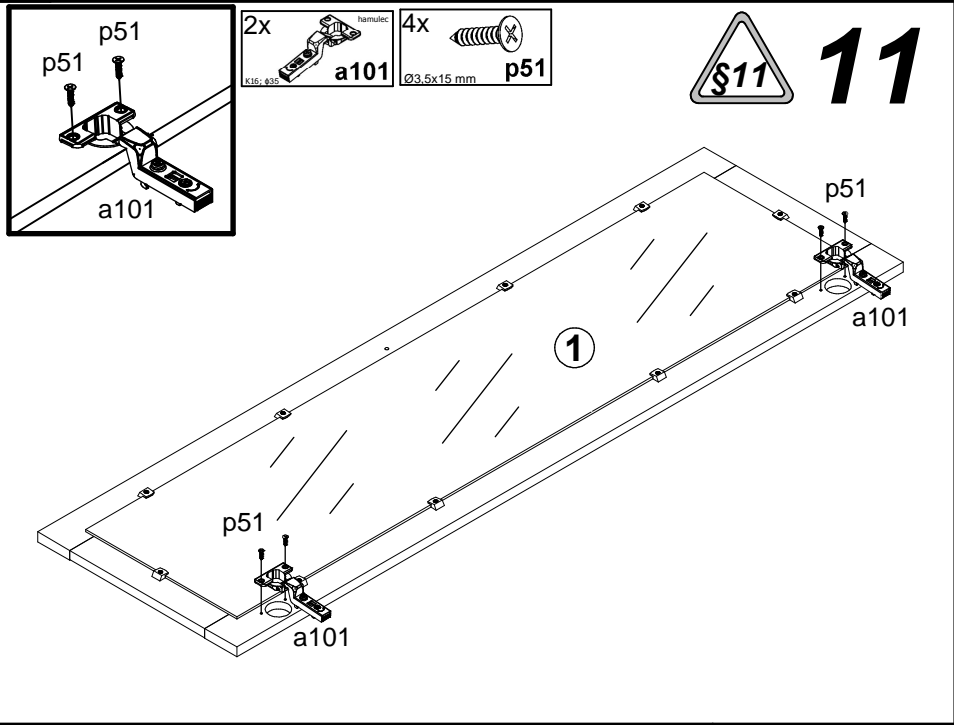
VII



9 VII

10



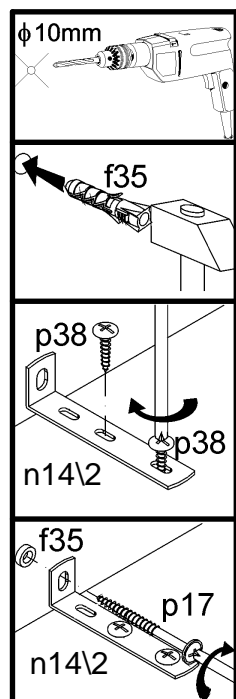


A

S248-REG2W4S/19/8

10D0--01

16 / 16



14

